



THERM-OMEGA-TECH

ISO 9001 CERTIFIED

THERM-O-MIX® STATION/WWM

HIGH CAPACITY INSTANT TEPID WATER

**FREEZE PROBLEMS?
CALL THERM-OMEGA-TECH
TOLL-FREE 1-877-379-8258**

THE NEED

An instantaneous and reliable source of instant tepid water for a safety shower/eyewash system using existing hot and cold water supply.

THE PROBLEM

Conventional mixing valves are unsuitable as the means to provide tepid water at safety shower/eyewash stations. These valves by nature have the property of shutting off entirely if either the hot or cold water supply is interrupted. This is dangerous and unacceptable for safety shower/eyewash systems where cold water must be available under all circumstances. To meet today's OSHA and ANSI recommendations you must have a system which can respond safely to both hot water and cold water supply failures.

THE SOLUTION

The **Therm-O-Mix® Station/WWM**. Its WM-1 mixing valve acting in concert with it's unique PWM-1 pressure sensing controller assure that cold water will flow to the shower and eyewash even if no hot water is available (as long as the cold water supply is not shut off elsewhere in the system). This is accomplished using completely mechanical, self operating controls. No electricity or air required.



TRIPLE REDUNDANT SAFETY CONTROLS

PWM-1 Pressure Sensing Controller:

Therm-Omega-Tech's unique diaphragm operated valve actuator senses the water pressures on both the hot and cold water inlet connections. If hot water pressure is not present at the mixing valve inlet, this actuator will override the mixing valve and allow full flow of cold water. If no cold water pressure is available at the mixing valve inlet, both the mixing valve and the diaphragm actuator will close off the hot port to prevent dangerously hot water from flowing to the shower/eyewash system.

V-4 Final Safety Control:

This control element senses the final water temperature and will position the PWM-1 pressure sensing controller to close off the hot water port of the mixing valve if the final water temperature is above 90°F.

WM-1 Mixing Valve:

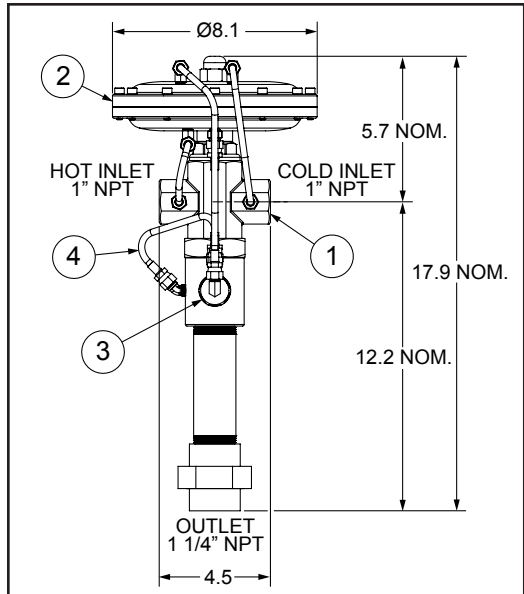
The primary temperature control device is Therm-Omega-Tech's three-way mixing valve. This valve is designed around our exclusive Thermoloid® sensor/actuator that automatically and accurately proportions the water flow in response to outlet water temperature. This mixing valve simultaneously modulates both the hot and cold water inlet ports to provide 85°F water to the shower/eyewash system. The Thermoloid® sensor/actuator is the most advanced and reliable thermal actuator of its type available today.

THERM-O-MIX STATION®/WWM

HIGH CAPACITY INSTANT TEPID WATER SUPPLY



PARTS AND MATERIALS



ITEM	DESCRIPTION	MATERIAL
1	WATER MIXING VALVE (V1)	Bronze Casting
2	PRESS. SENS. CONTROLLER (PWM-1)	Bronze Casting
3	FINAL SAFETY CONTROL (V4)	Brass
4	FLEXIBLE TUBING	SS Braided PTFE

OPERATION

After water flow is activated at the shower or eyewash, the outlet water temperature will reach 85°F when hot water arrives at the mixing valve. The mixing valve then blends the hot and cold water to produce an output of 85°F water. Therm-Omega-Tech, Inc. also manufactures a **Therm-O-Mix® Station** for use where only plant steam and cold water are available. Also available are auxiliary freeze protection and scald protection bleeder valves for use where freezing ambient temperatures or overheated lines (due to tracing or high solar heat gain) may be encountered.

ADVANTAGES

- ◆ Uses existing plant hot and cold water supplies
- ◆ Conforms to OSHA and ANSI recommendations
- ◆ All components are in-line serviceable
- ◆ Provides 3 to 30 GPM of 85°F water with inlet pressure of 30 psig
- ◆ Optional durable, all weather version in high visibility LDPE enclosure available
- ◆ Compact, lightweight design easily supported by piping connections (under 15 lbs/6 kg)
- ◆ Easy to retrofit on existing shower or combination shower/eyewash systems
- ◆ Maintains constant 85°F (29°C) output regardless of inlet pressure and temperature variations
- ◆ All self-operating controllers - no power required

TO ORDER SPECIFY:

Part Number	Description
387-201000-000	Therm-O-Mix® Station/WWM-85°F
387-202000-000	Therm-O-Mix® Station/WWM-85°F with NEMA 4 Enclosure

NOTES:

1. Where unit is to be used as a Safety Shower or Eyewash supply, the final outlet temperature should be specified by the Facilities Medical Supervisor or other authorized personnel.
2. A #20 mesh strainer is recommended for use with all port sizes.

Therm-Omega-Tech, Inc. reserves the right to change the design and specifications without notice



THERM-OMEGA-TECH, INC.

353 Ivyland Road, Warminster, PA 18974-2205
Phone: 215-674-9992 Fax: 215-674-8594

CALL US TOLL FREE

1-877-379-8258



Visit our internet site at: <http://www.ThermOmegaTech.com> email: valves@ThermOmegaTech.com