

OPERATION

When an emergency shower or eyewash is activated, the flow of water opens a steam control valve. The steam enters a brazed plate heat exchanger, instantly heating the water. A mixing valve blends hot and cold water to produce an output of 80° F (27° C) tepid water. Additional valves keep the system preheated, freeze protected and scald protected. The steam valve will remain closed should there be a loss of water pressure.

FEATURES & BENEFITS

FLOW RATES

Provides 3 to 25 GPM (11 to 95 LPM) of tepid water.

OPERATION

Operates on typical plant steam pressure, 45-60 PSIG (3-4 BAR) is recommended. Steam and water never mix, separated by brazed plate heat exchanger. Low pressure system is available for 15-30 PSIG (1-2 BAR) steam.

ASSE CERTIFIED AXION THERMOSTATIC MIXING VALVE

Unit employs a paraffin filled thermostatic mixing element with the lowest internal pressure drop where supply pressure is low. The modular brass design with a one piece casting uses internal check stops, oversized valve seats, a shuttle design that eliminates valve sticking, and a funnel design to improve temperature control with better mixing at low flow rates.

INSTALLATION

Ease of installation, uses existing plant steam and water supply. Union connections are provided for quick installation. Compact, lightweight design, easily supported by pipe connections.

SERVICING

Durable, protective enclosure can be readily removed for servicing.

MEDICALLY SUPERIOR RESPONSE®

AXION's superior design and technology provide a complete safety solution for increased victim comfort.



SPECIFICATIONS

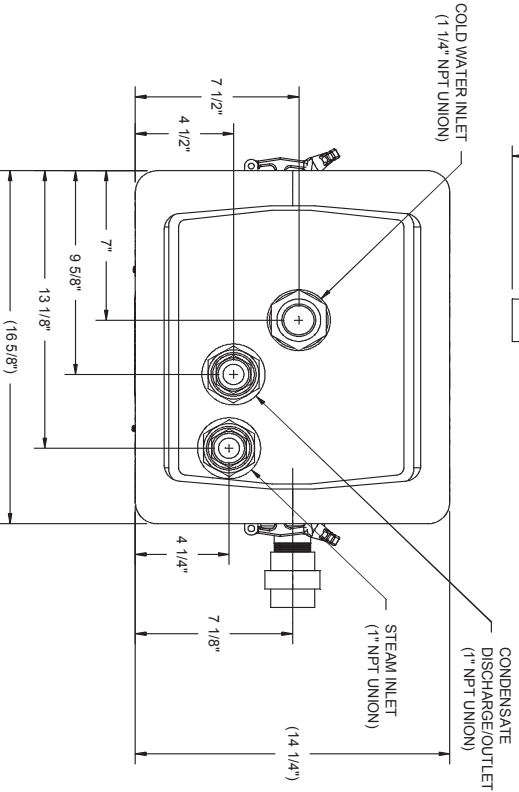
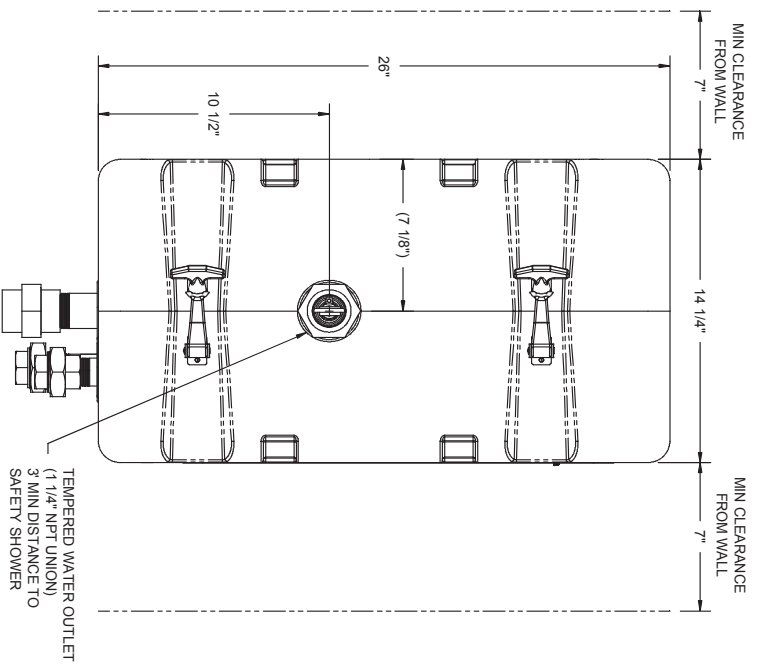
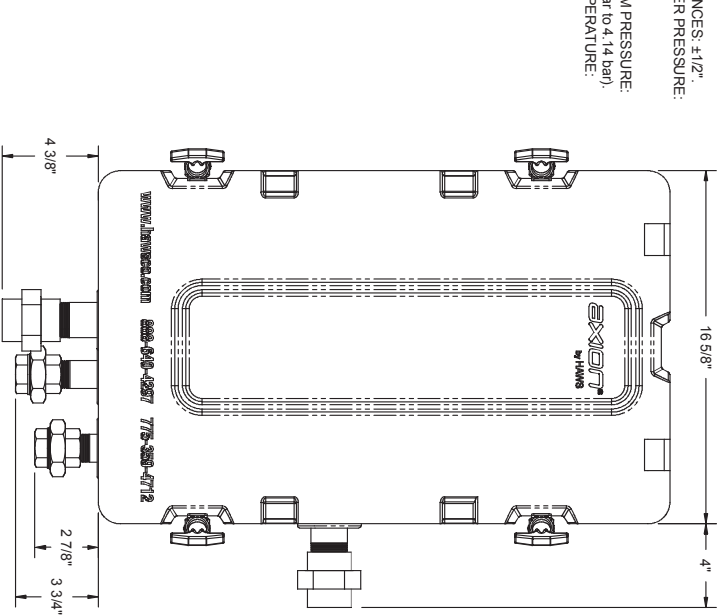
Model 9400 - Steam Water Heater

	MAXIMUM		MINIMUM	
Outlet Flow Rate	25 GPM	95 LPM	3 GPM	11 LPM
Ambient Operating Temperature	120° F	49° C	-30° F	-34° C
Inlet Water Pressure	90 PSIG	6 BAR	55 PSIG	4 BAR
Inlet Water Temperature	80° F	27° C	40° F	4° C
Inlet Steam Pressure	60 PSIG	4 BAR	45 PSIG	3 BAR
Steam Temperature	350° F	177° C		
Cold Water Bypass Flow Rate	24 GPM @ 25 PSI Pressure Drop			
Water Inlet & Outlet Pipe Size	1 1/4" NPT (F)			
Steam Supply & Condensate Pipe Size	1" NPT (F)			
Steam Consumption	600 lb/hr @ 25 GPM Flow Rate, 20 lb/hr @ Idle			
Condensate Discharge Rate	12 GPH maximum			
Pressure Drop Water Inlet to Water Outlet	25 PSI @ 25 GPM			

THIS DOCUMENT IS TRUE AND CORRECT AT TIME OF PUBLICATION. CONTINUED PRODUCT IMPROVEMENTS MAKE SPECIFICATIONS AND MEASUREMENTS SUBJECT TO CHANGE WITHOUT NOTICE.

NOTES:

1. DIMENSIONAL TOLERANCES: $\pm 1/2"$.
2. RECOMMENDED WATER PRESSURE:
55 psi (3.79 bar) MIN
90 psi (6.21 bar) MAX
3. RECOMMENDED STEAM PRESSURE:
45 psi to 60 psi (3.10 bar to 4.14 bar)
4. MAXIMUM STEAM TEMPERATURE:
350° F (177° C).



		MODELS(S) 9400	
		STEAM WATER HEATER	
ENGINEERED PER: HAW DATE: 04/09 V.C. DATE: 10/1/14 APPROVED: FV DATE: 04/08/15	SCALE: NA DRAWING TYPE: INSTALLATION	SIZE: A SHEET: 1 OF 1	PART NUMBER: 0002080243 D REVISION: 3

1465 KLEPPER LANE
 SPARKS, NEVADA 89431
 (775) 359-4712 FAX (775) 359-7424
 E-MAIL: HAWS@HAWSCCO.COM
 WEBSITE: WWW.HAWSCCO.COM