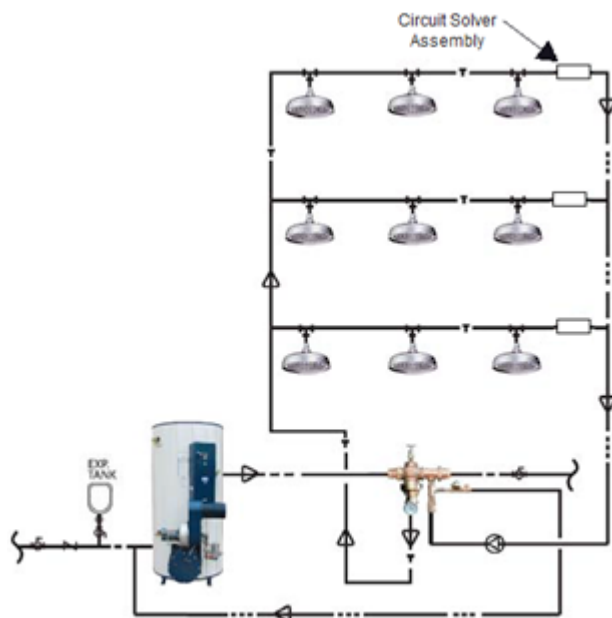
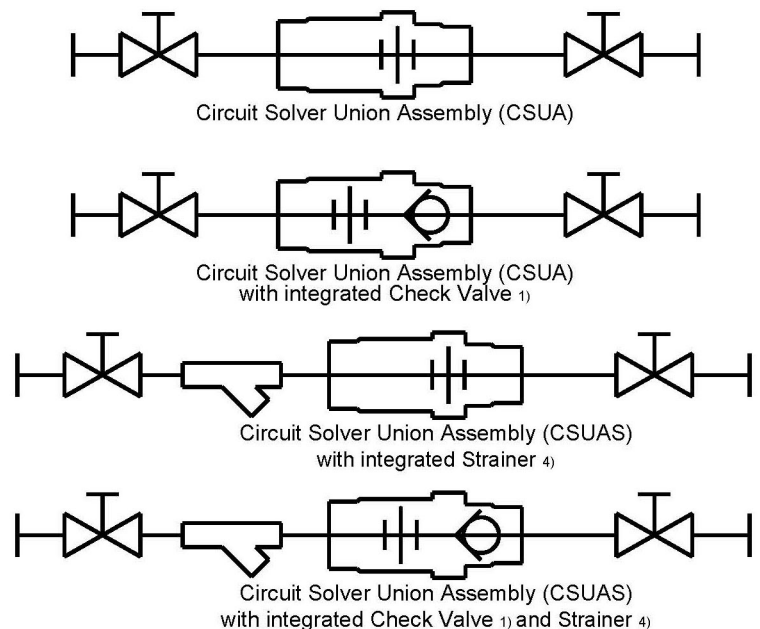


INSTALLATION INSTRUCTIONS CSUA AND CSUAS

- 1) Install assembly with proper flow direction as marked on valve body. This is critical with assemblies that have an integrated check valve.
- 2) Use suitable pipe thread sealant rated for domestic water applications on all male pipe threads; if using PTFE sealant tape, make sure not to apply tape to the first thread to avoid cutting the PTFE tape and causing potential obstructions to flow.
- 3) Circuit Solver® Assemblies are designed to be installed at the end of each domestic hot water supply just prior to the return line. See diagram below.
- 4) For water systems with particulate/dirt problems, consider using the Circuit Solver® Assembly with integrated strainer if a strainer is not already used upstream.
**Strainer must be maintained in order to avoid flow obstruction.*



Multi-branch parallel piping circuit



Schematic diagrams

Warranty information disclosed at www.thermomegates.com/terms-conditions/

CSUA IMI
REV: 7/28/17