

3/4" IC/SP

INTERCHANGEABLE CARTRIDGE SCALD PROTECTION VALVE



BENEFITS

- IC/SP-105, -100, and 95 meet OSHA temperature guidelines
- Protects safety showers from overtemperature conditions, keeping personnel safe
- Long service life
- Fast response
- Discharges the minimum amount of water required to keep water temperature within safe limits

DESIGN FEATURES

- Stainless steel body, fittings, spring, and plug
- Corrosion resistant
- Exclusive *Thermoloid*® sensor/controller
- Compact, low-mass
- Two wrench flats for easy installation
- Ram type plug for reliable and tight shutoff

APPLICATIONS

Solar radiation or overheating caused by steam or electric tracing can cause extremely high temperatures at the point of use, resulting in a safety hazard for plant personnel. When installed in safety showers, eyewash stations, and other locations exposed to the same source of overheating as the system, the *IC/SP* will be heated just as the pipe system. The valve will open to establish flow until the overtemperature water is eliminated and it will then modulate closed.



OPERATION

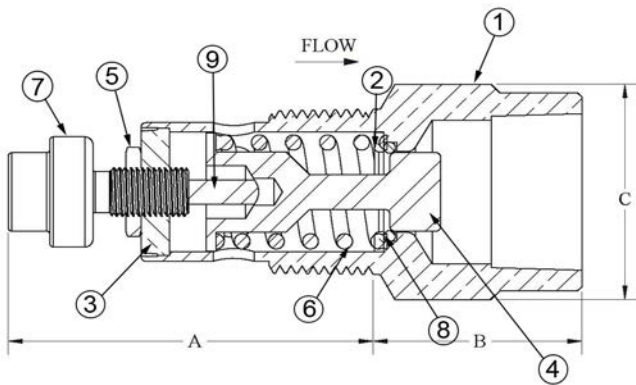
In standard flow, a thermostatic element inside the valve senses air temperature and if this reaches 7°F (3.9°C) below the setpoint the valve opens to initiate flow. The valve will remain fully open as long as the water flowing by the sensor is at the setpoint. However, when the water flowing past the sensor is below the setpoint the valve starts to modulate closed and is fully closed approximately 7°F (3.9°C) below the setpoint.

3/4" IC/SP

INTERCHANGEABLE CARTRIDGE SCALD PROTECTION VALVE



PARTS & MATERIALS



ITEM	DESCRIPTION	MATERIAL
1	CARTRIDGE BODY	Brass or 300 Series S/S
2	SEAL RETAINER, SEAT SEAL	Brass or 300 Series S/S
3	ACTUATOR BUSHING	Brass or 300 Series S/S
4	PLUG	300 Series S/S
5	NUT	300 Series S/S
6	OPERATING SPRING	300 Series S/S
7	ACTUATOR	Brass or 300 Series S/S
8	O-RING	PTFE
9	PISTON	Brass or 300 Series S/S

DIMENSIONS & CAPACITIES

Connection	A		B		C		Weight		Z (Drain)	C _v	Maximum Operating Pressure	Maximum Temperature
	in	mm	in	mm	in	mm	Lb	Kg				
3/4" NPT	2.31	58.7	1.33	33.8	1.38	35.1	0.5	0.23	3/4" NPT	1.3	100 PSIG (6.9 BAR)	200°F (93°C)

ORDERING

Part Number	Description
195 - 000000 - XXX	3/4" IC/SP Cartridge
195 - 220000 - XXX	3/4" IC/SP S/S Cartridge

NOTES

- Standard open temperature, "XXX", is 105°F. Optional open temperatures, "XXX": 95°F, 100°F, 110°F, and 115°F.
 - Note: Closing temperature is typically 10°F below opening temperature
- All IC/SP valves are covered by an 18 month warranty.
- A #20 mesh strainer is recommended.



ThermOmegaTech, Inc.
353 Ivyland Road
Warminster, PA 18974

1-877-379-8258
www.ThermOmegaTech.com



ICSP
REV:09/6/16

Because of continuous improvements, ThermOmegaTech, Inc. reserves the right to change the design and specifications without notice