

ITCH ASSEMBLY

INSTRUMENT TEMPERATURE CONTROL HEATER ASSEMBLY



BENEFITS

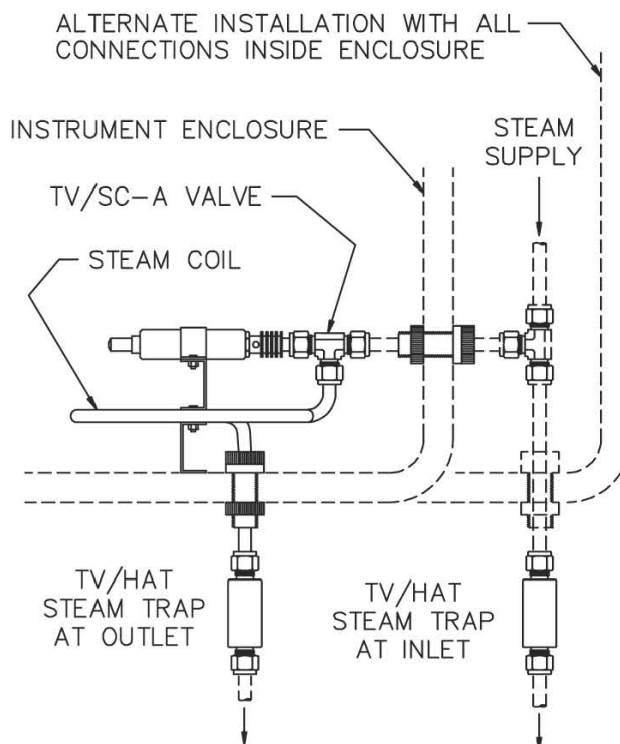
- Maintain enclosure temperature accurately over a wide range of ambient temperatures
- Eliminates danger of overheating
- No outside power required, self-operating, eliminating explosion hazard.
- Economically controls steam flow
- Complete kit with standard tube connections for quick and easy installation
- Operating temperatures unaffected by variable inlet pressures

DESIGN FEATURES

- Compact, low mass - Fast response
- Corrosion resistant - Long service life
- Exclusive Thermoloid® sensor/controller
- All stainless steel construction
- Ram-type plug for tight reliable shutoff
- Narrow temperature band
- Operating temperatures unaffected by pressure
- Wide choice of set points

APPLICATIONS

The ITCH Assembly assures accurate temperature control in an instrument or analyzer enclosure. This self-contained unit provides a reliable, economical alternative to costly, hazardous electric heating. The compact thermostatic control valve senses enclosure temperature and automatically regulates the flow of steam to the steam coil to maintain the desired temperature.



OPERATION

The thermal actuator on the TV/SC-A valve senses internal enclosure temperature and regulates steam flow to the heating coil accordingly. The TV/HAT at the steam inlet keeps the steam supply hot to prevent freezing even when the TV/SC-A valve is closed. The TV/HAT at the coil outlet regulates condensate discharge temperature for maximum economy with minimized overheating potential.

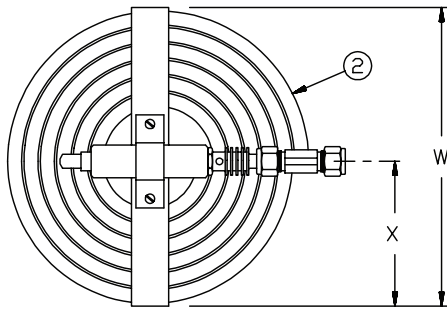
The ITCH Assembly comes complete with steam coil, mounting bracket, and TV/SC-A valve assembly, two TV/HAT valves, and two weather-tight bulkhead fittings for 3/8 tubing connections. TV/SC-A and TV/SC-I valves (with external connections) are also available separately.

ITCH ASSEMBLY

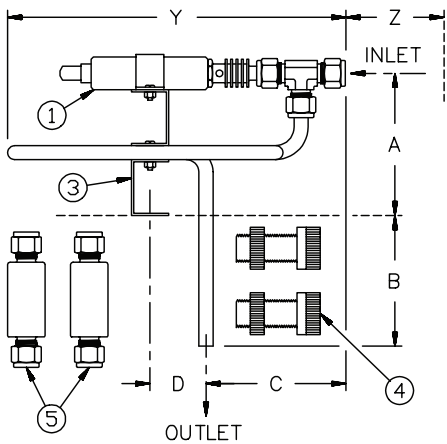
INSTRUMENT TEMPERATURE CONTROL HEATER ASSEMBLY



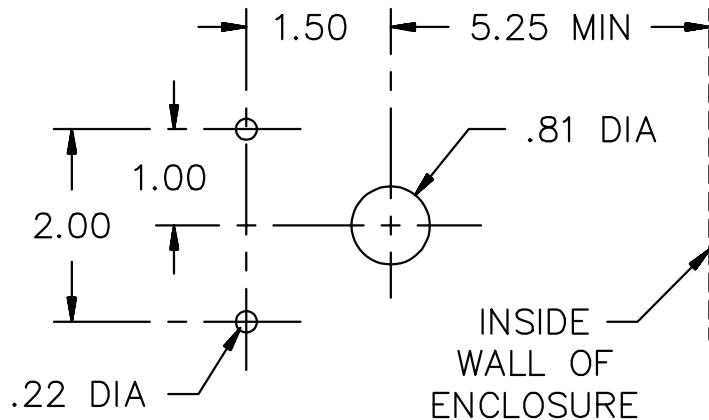
PARTS & MATERIALS



ITEM	DESCRIPTION	MATERIAL
1	TV/SC-A	SEE CATALOG PAGE
2	STEAM COIL	300 SERIES SS
3	MOUNTING BRACKET	300 SERIES SS
4	BULKHEAD FITTING	300 SERIES SS
5	TV/HAT	SEE CATALOG PAGE



MOUNTING DIMENSIONS



DIMENSIONS & CAPACITIES

TUBE OD	A		B		C		D		W		X		Y		Z		Cv	MAXIMUM PRESSURE PSIG (BAR)	MAXIMUM TEMPERATURE
	IN	MM	IN	MM	IN	MM	IN	MM	IN	MM	IN	MM	IN	MM	IN	MM			
3/8"	3.8	97	3.5	89	3.8	97	1.5	38	8.0	203	4.0	102	9.0	229	1.5	38	0.5	200 (13.8 BAR)	250°F (121°C)

ORDERING

PART NUMBER ¹	DESCRIPTION ²
753-000000-XXX	3/8" ITCH ASSEMBLY

NOTES

- Full open temperatures "XXX" available: 35°F, 40°F, 50°F, 55°F, 60°F, 65°F, 75°F, 85°F, 90°F, 95°F, 100°F, 105°F, 110°F, 125°F, 130°F, 140°F, 150°F, 155°F, 160°F, 170°F, 180°F, 190°F and 200°F.
a. Note: Closing temperature is typically 10°F below opening temperature.
- A #20 mesh strainer is recommended for use with all port sizes.
- Warranty information disclosed at www.thermomegatech.com/terms-conditions/



Therm-Omega-Tech, Inc.
 353 Ivyland Road
 Warminster, PA 18974

1-877-379-8258
www.ThermOmegaTech.com



ITCH
 REV: 5/30/17