

## OPERATION

When an emergency shower or eyewash is activated, the flow of water opens a steam control valve. The steam enters a brazed plate heat exchanger, instantly heating the water. A mixing valve blends hot and cold water to produce an output of 80° F (27° C ) tepid water. Additional valves keep the system preheated, freeze protected and scald protected. The steam valve will remain closed should there be a loss of water pressure.

## FEATURES & BENEFITS

### FLOW RATES

Provides 3 to 25 GPM (11 to 95 LPM) of tepid water.

### OPERATION

Operates on typical plant steam pressure, 45-60 PSIG (3-4 BAR) is recommended. Steam and water never mix, separated by brazed plate heat exchanger. Low pressure system is available for 15-30 PSIG (1-2 BAR) steam.

### AXION THERMOSTATIC MIXING VALVE

Unit employs a paraffin filled thermostatic mixing element with the lowest internal pressure drop where supply pressure is low. The modular brass design with a one piece casting uses internal check stops, oversized valve seats, a shuttle design that eliminates valve sticking, and a funnel design to improve temperature control with better mixing at low flow rates.

### INSTALLATION

Ease of installation, uses existing plant steam and water supply. Union connections are provided for quick installation. Compact, lightweight design, easily supported by pipe connections.

### SERVICING

Durable, protective enclosure can be readily removed for servicing.

### MEDICALLY SUPERIOR RESPONSE®

AXION's superior design and technology provide a complete safety solution for increased victim comfort.



## SPECIFICATIONS

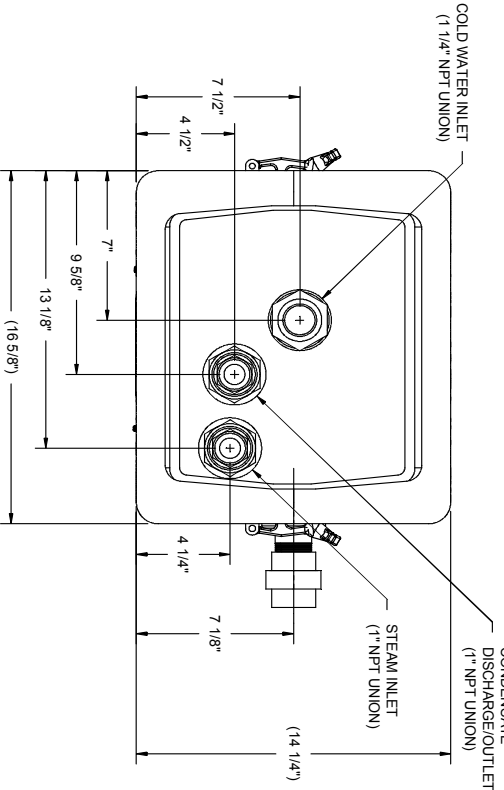
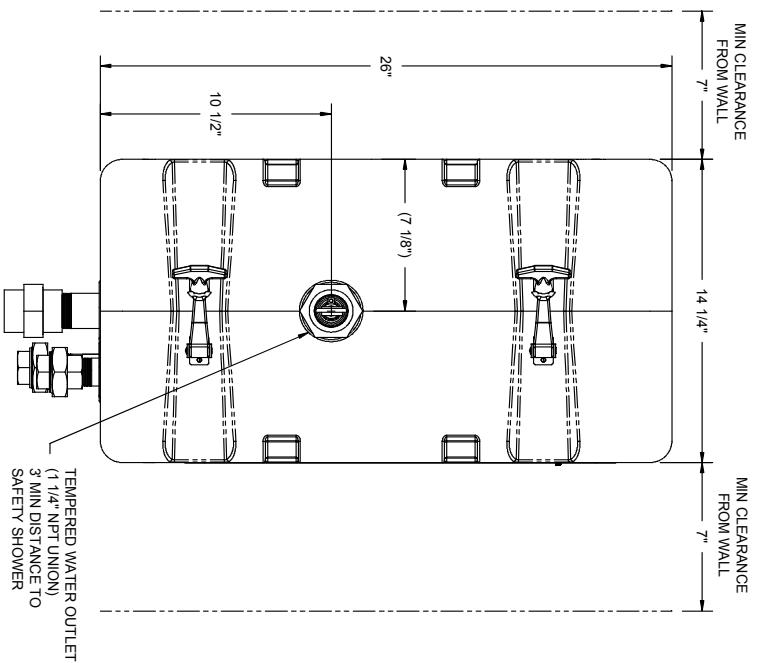
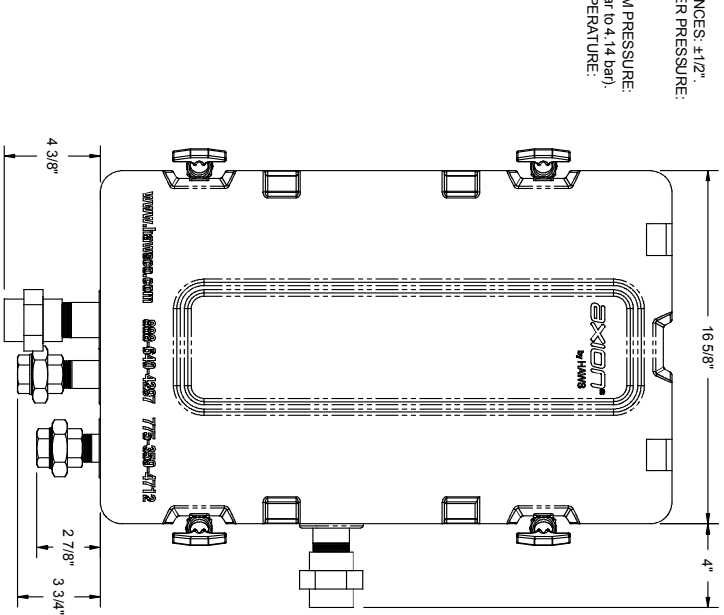
### Model 9400 - Steam Water Heater


|   | MAXIMUM                                       |        | MINIMUM |        |
|---|---|--------|---------|--------|
|   |   |        |         |        |
| Outlet Flow Rate                          | 25 GPM  | 95 LPM | 3 GPM   | 11 LPM |
| Ambient Operating Temperature             | 120° F  | 49° C  | -30° F  | -34° C |
| Inlet Water Pressure                      | 90 PSIG                                       | 6 BAR  | 55 PSIG | 4 BAR  |
| Inlet Water Temperature                   | 80° F   | 27° C  | 40° F   | 4° C   |
| Inlet Steam Pressure                      | 60 PSIG                                       | 4 BAR  | 45 PSIG | 3 BAR  |
| Steam Temperature                         | 350° F  | 177° C |         |        |
| Cold Water Bypass Flow Rate               | 24 GPM @ 25 PSI Pressure Drop                 |        |         |        |
| Water Inlet & Outlet Pipe Size            | 1 1/4" NPT (F)                                |        |         |        |
| Steam Supply & Condensate Pipe Size       | 1" NPT (F)                                    |        |         |        |
| Steam Consumption                         | 600 lb/hr @ 25 GPM Flow Rate, 20 lb/hr @ Idle |        |         |        |
| Condensate Discharge Rate                 | 12 GPH maximum                                |        |         |        |
| Pressure Drop Water Inlet to Water Outlet | 25 PSI @ 25 GPM                               |        |         |        |

THIS DOCUMENT IS TRUE AND CORRECT AT TIME OF PUBLICATION. CONTINUED PRODUCT IMPROVEMENTS MAKE SPECIFICATIONS AND MEASUREMENTS SUBJECT TO CHANGE WITHOUT NOTICE.

NOTES:

1. DIMENSIONAL TOLERANCES:  $\pm 1/2"$ .
2. RECOMMENDED WATER PRESSURE:  
55 psi (3.79 bar) MIN  
90 psi (6.21 bar) MAX
3. RECOMMENDED STEAM PRESSURE:  
45 psi to 60 psi (3.10 bar to 4.14 bar)
4. MAXIMUM STEAM TEMPERATURE:  
350° F (177° C).



|   |  |                         |  |   |  |
|---|--|-------------------------|--|---|--|
|  |  | <b>Haws®</b>            |  | 1465 KLEPPE LANE<br>SPARKS, NEVADA 89431<br>(775) 359-4712 FAX (775) 359-7424<br>E-MAIL: HAWS@HAWSCO.COM<br>WEBSITE: WWW.HAWSCO.COM |  |
|   |  | MODEL(S)<br><b>9400</b> |  | PART NUMBER<br><b>0002080243 D</b>  |  |
| EDUO® REFERENCED BY:<br>DATE: 04/09/08<br>DATE: 10/01/14<br>DATE: 04/08/15          |  | MODEL(S)<br><b>9400</b> |  | PART NUMBER<br><b>0002080243 D</b>  |  |
| DRAWING DATE: 10/01/14<br>APPROVED: FV  |  | MODEL(S)<br><b>9400</b> |  | PART NUMBER<br><b>0002080243 D</b>  |  |
| SCALE: NA<br>DRAWING TYPE: INSTALLATION   |  | MODEL(S)<br><b>9400</b> |  | PART NUMBER<br><b>0002080243 D</b>  |  |
| SIZE: A<br>SHEET: 1 OF 1  |  | MODEL(S)<br><b>9400</b> |  | PART NUMBER<br><b>0002080243 D</b>  |  |