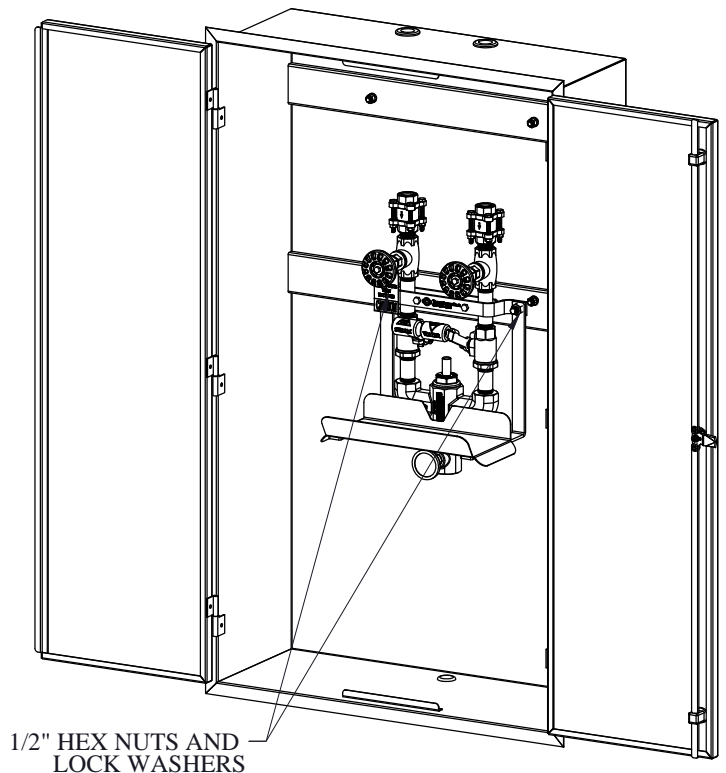
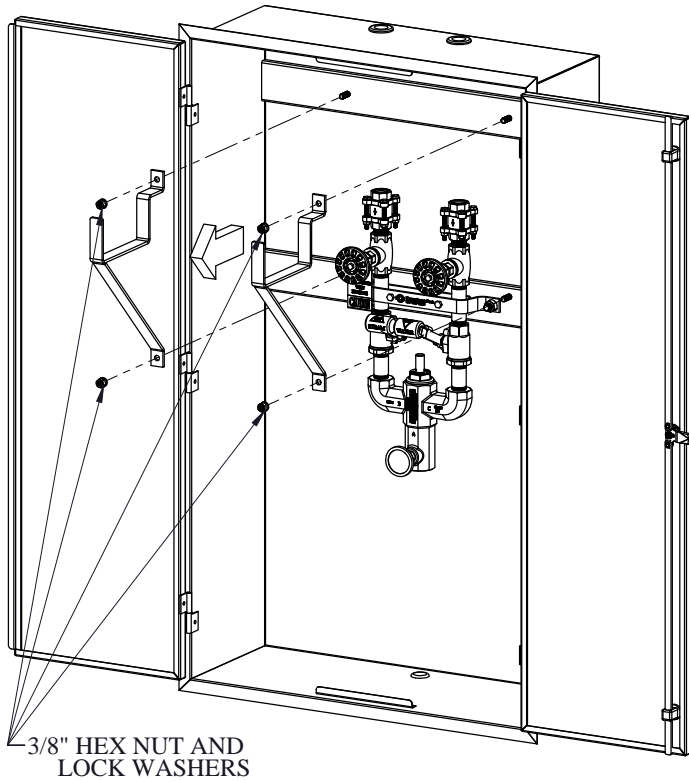


## INSTALLATION INSTRUCTIONS OF LOW MOUNTING HOSE RACK IN MRE ENCLOSURE

The MRE enclosure is provided with the hose rack installed above the Washdown station. A lower mounting rack is included with the enclosure for 25ft or 50ft hoses. If you would like to install the lower mounting rack, follow the instructions below to properly swap hose racks.

1. Remove the 3/8" hex nuts and lock washers that are holding the hose rack in place.
2. Remove left and right hose rack members.
3. Remove the 1/2" hex nuts and lock washers that are holding the washdown station in place.
4. Place the low mounting hose rack over top of the washdown station mount.
5. Reinstall the 1/2" hex nuts and lock washers. tighten 1/2" hex nuts to 45 ft-lbs.



Warranty information disclosed at [www.thermomegatech.com/terms-conditions/](http://www.thermomegatech.com/terms-conditions/)