

# MODEL MRE

## WASHDOWN STATION ENCLOSURE



The **Model MRE** enclosure is specifically designed to provide a secure, uncluttered environment for ThermOmegaTech® Washdown Stations, Hoses and Guns. The **MRE** stainless steel enclosure is intended for recessed wall type installations and is flush mount which allows the doors to open a full 180° for easy accessibility. Two separate hose racks are included to accommodate convenient access and storage for short or long hoses up to 100ft.

### DESIGN FEATURES

- 304 stainless steel - Corrosion resistant
- Lockable 3-point door latch
- Removable hose rack for 25ft, 50ft, 100ft long hose
- Removable low mounting hose rack for 25ft, 50ft long hose
- Drain port
- Steam inlet pipe insulation supplied. Insulation must be installed

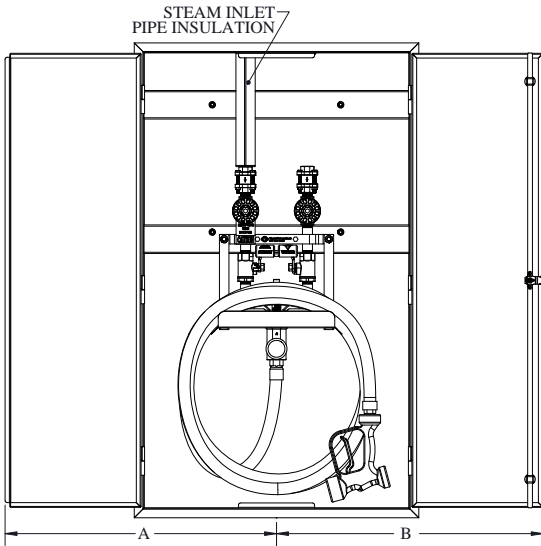
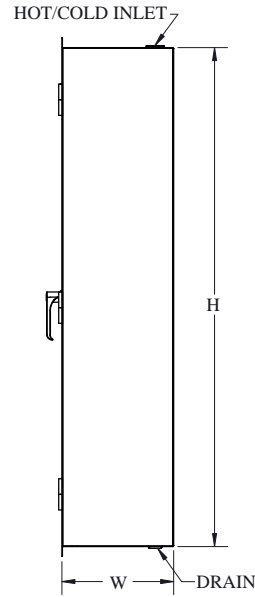
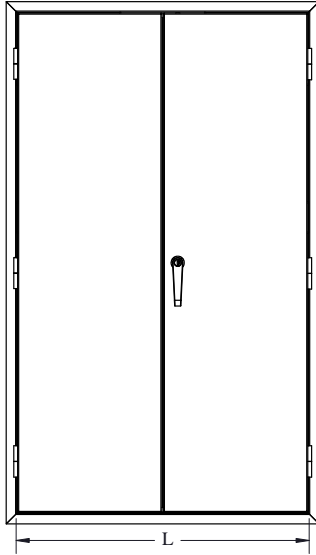


**Shown:** STVM® Washdown Station in Enclosure with 25ft hose assembly and gun (parts sold separately from enclosure)

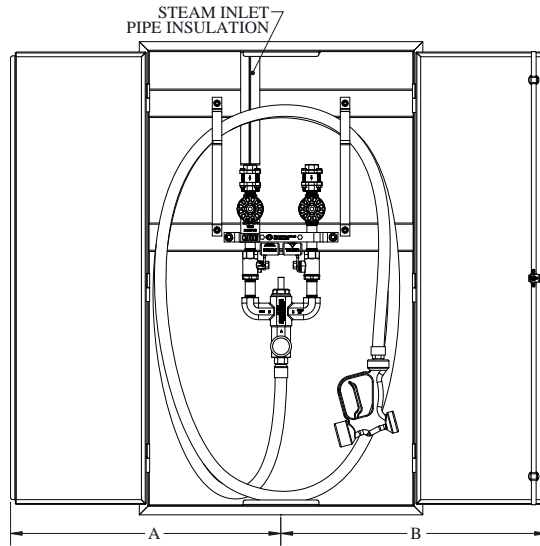


**Shown:** STVM® Washdown Station in Enclosure with 100ft hose assembly and gun (parts sold separately from enclosure)

# WASHDOWN STATION ENCLOSURE



Shown: STVM® Washdown Station in Enclosure with 25ft hose assembly and gun (parts sold separately from enclosure)



Shown: STVM® Washdown Station in Enclosure with 25ft hose assembly and gun (parts sold separately from enclosure)

## DIMENSIONS & CAPACITIES

L		W		H		A		B		Weight	
in	mm	in	mm	in	mm	in	mm	in	mm	Lb	Kg
28	711.2	10.8	274.3	48	1219.2	28.5	723.9	28	711.2	83	37.6

## ORDERING

Part Number	Description
942-100000-000	MRE Washdown Station Enclosure, 304 SS

## NOTES

1. Warranty information disclosed at [www.thermomegatech.com/terms-conditions/](http://www.thermomegatech.com/terms-conditions/)



ThermOmegaTech, Inc.  
353 Ivyland Road  
Warminster, PA 18974

1-877-379-8258  
[www.ThermOmegaTech.com](http://www.ThermOmegaTech.com)

MRE Enclosure  
REV: 5/5/17



Because of continuous improvements, ThermOmegaTech, Inc. reserves the right to change the design and specifications without notice