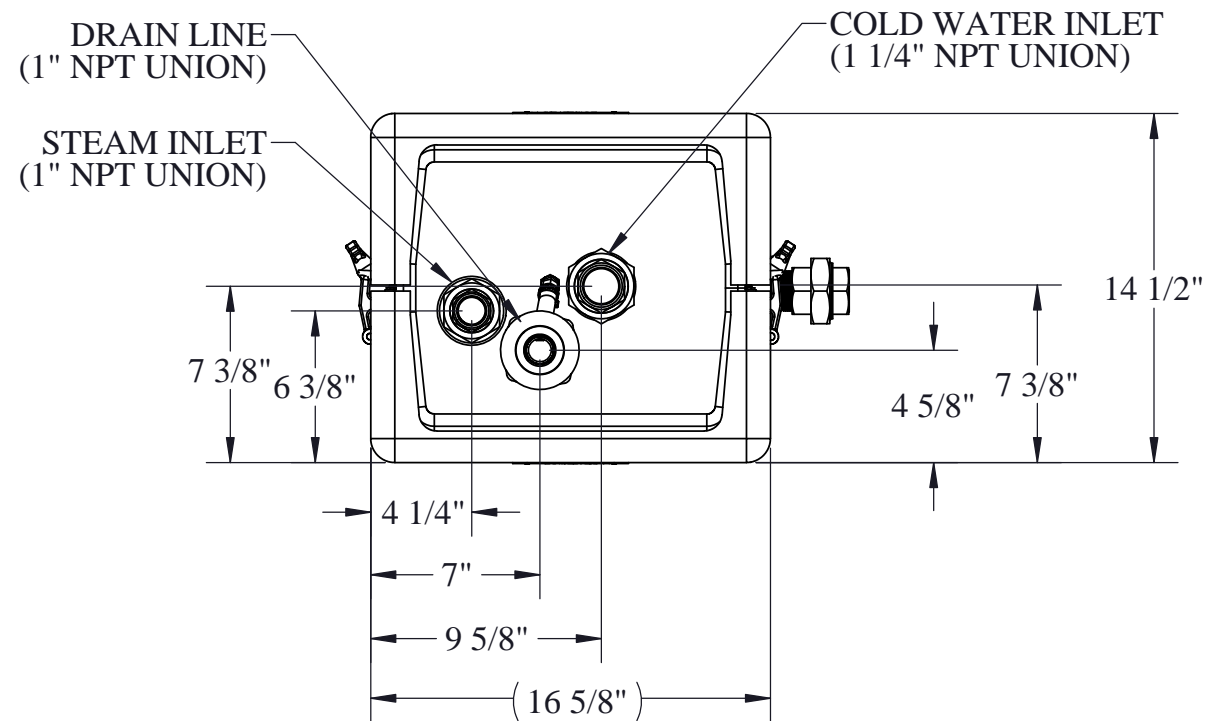
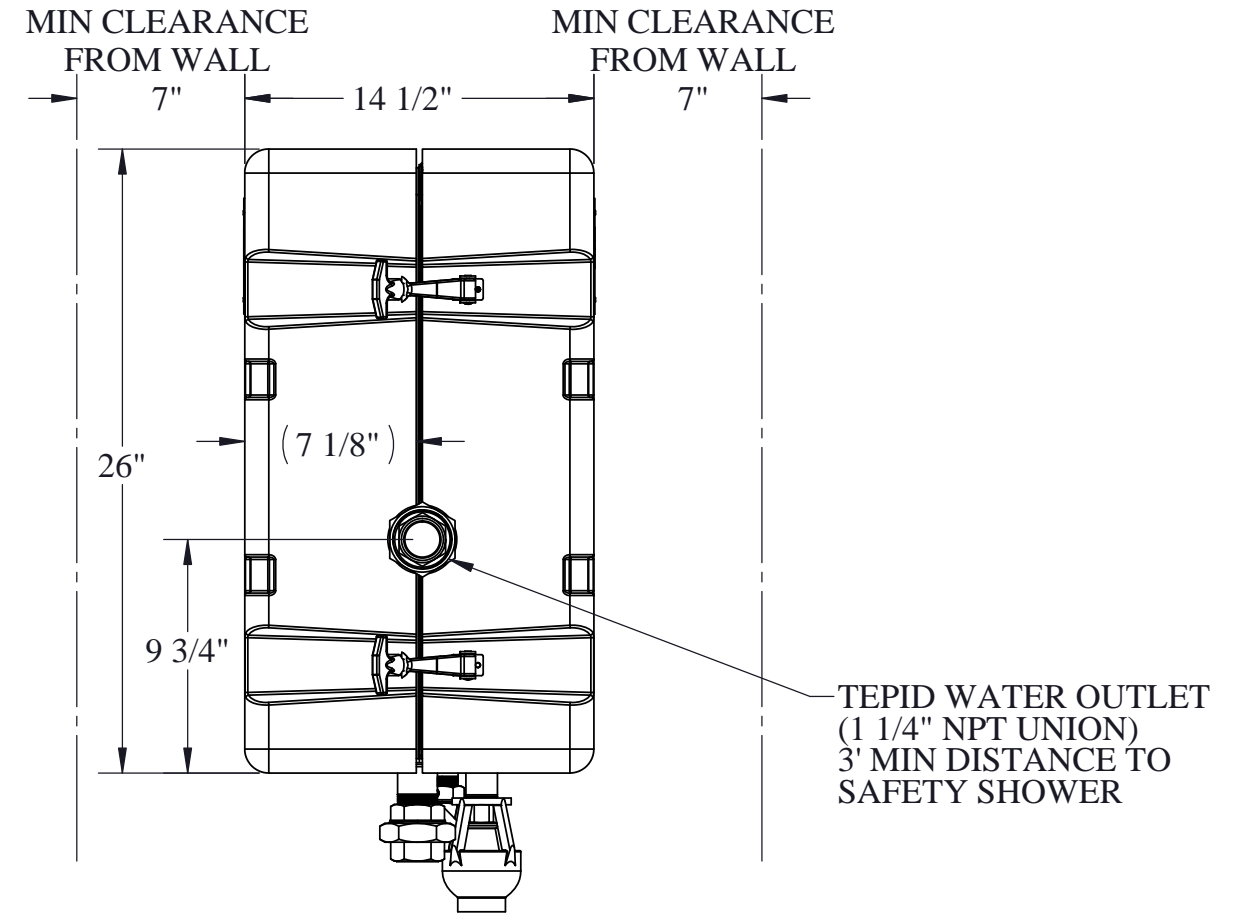
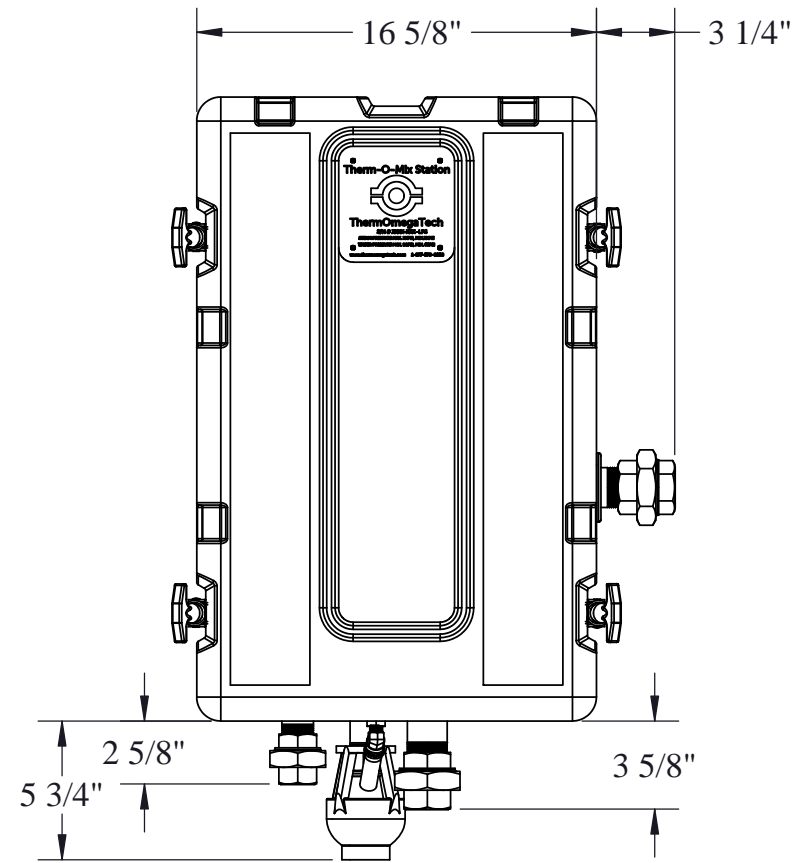


NOTES:

1. DIMENSIONAL TOLERANCES: $\pm 1/2"$.
2. RECOMMENDED WATER PRESSURE:
55 psi (3.79 bar) MIN.
90 psi (6.21 bar) MAX.
3. RECOMMENDED STEAM PRESSURE:
15 psi to 30 psi (1.03 bar to 2.07 bar)
4. MAXIMUM STEAM TEMPERATURE:
350 °F (177 °C)



| REV | ECN# | DESCRIPTION | BY | CHK | DATE |
|-----|------|--|-----|-----|-----------|
| F | 1027 | ADDED GAP FITTING TO CONDENSATE. REROUTED V-6 DRAIN LINE. | EWf | BCR | 9/6/2018 |
| E1 | 993 | V3 CAP WAS 03-318, NOW 03-191. ADDED 98-123 O-RING. | EWf | BCR | 6/19/2018 |
| E | 977 | CHANGED ALL LITERATURE AND MARKINGS FROM HAWS TO THERMOMEGATECH | EWf | BCR | 3/28/2018 |
| D2 | 919C | CHANGED V-1 MIXING TEE FROM MACHINED ASSEMBLY (357-TOMOUTLET, 03-0183) TO A CASTING (03-380). CHANGED PMHS (95-153) TO SHCS (95-020) ENCLOSURE STRAP | EWf | BCR | 9/1/2017 |
| D1 | 919B | CHANGED COLD WATER INLET TEE FROM MACHINED PARTS (03-177, 03-178) TO CAST PARTS (03-382, 03-384). | EWf | BCR | 8/9/2017 |
| D | 919A | CHANGED HOT WATER OUTLET TEE FROM MACHINED PARTS (03-177, 03-179, 03-180) TO CAST PARTS (03-383, 03-384). CHANGED UNION NUT FROM MACHINED PART (03-184) TO CAST PART (03-385). | EWf | BCR | 6/22/2017 |

| | | | | | | | | |
|--|--|---------------------------|---------------------|-------------------|-------------------|------------------|--------------|-----------------------|
| <p>ThermOmegaTech® 353 Nyland Road, Warminster, PA 18974-2205 USA ThermOmegaTech.com • 215-674-9992 • 1-877-379-8258</p> | | <p>ISO 9001 CERTIFIED</p> | <p>SHEET 1 OF 4</p> | <p>DWN BY EWF</p> | <p>CHK BY JPC</p> | <p>SCALE 1:8</p> | <p>REV F</p> | <p>DATE 3/23/2016</p> |
| <p>TITLE: THERM-O-MIX STATION GEN 3 LSP (BPHE) SS</p> | | | | | | | | |
| <p>INV. NUMBER: 387-512100-003</p> | | | | | | | | |

TOLERANCES UNLESS OTHERWISE SPECIFIED:
X.XX ±.01
X.XXX ±.005
UNITS IN INCHES

THIS DRAWING AND THE INFORMATION CONTAINED ARE THE PROPERTY OF THERMOMEGATECH AND IT IS NOT TO BE REPRODUCED, COPIED OR USED IN ANY WAY DETRIMENTAL TO THE INTEREST OF THERMOMEGATECH.