

# ThermOmegaTech®

## INSTALLATION INSTRUCTIONS DTV

If installed and maintained as recommended, the ThermOmegaTech® DTV will yield reliable and trouble-free service.

**IMPORTANT:** Before installation, please read and understand these instructions.

**REMEMBER:** These valves are full open at its stated temperature and full closed approximately 10°F lower. A #20 mesh strainer is recommended where needed.

**NOTE: A WATER HAMMER ARRESTOR MUST BE INSTALLED DIRECTLY BEHIND THE VALVE WATER SUPPLY INLET AS SHOWN IN THE SAMPLE INSTALLATIONS WHEN ANY TYPE OF CHECK VALVE OR BACK FLOW PREVENTER IS USED PER CODE. FAILURE TO DO SO MAY CAUSE PERMANENT DAMAGE TO THE VALVE AND VOID THE WARRANTY.**

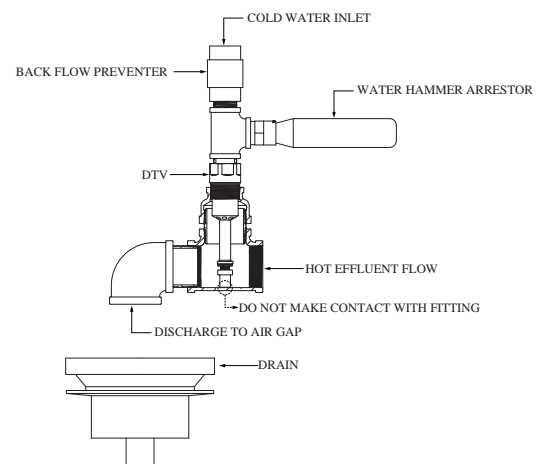
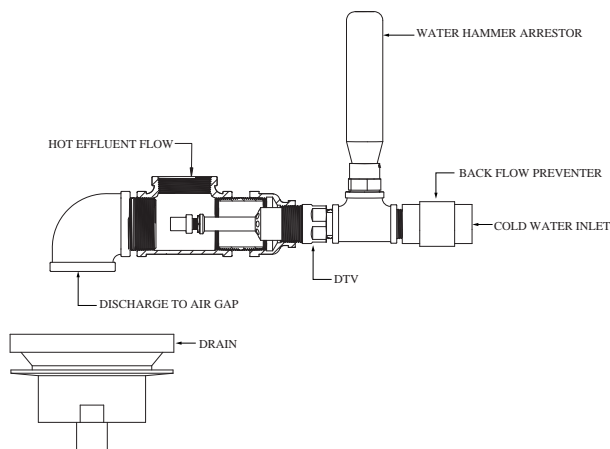
**NOTE:** MAXIMUM ALLOWABLE TEMPERATURE OF SENSING ACTUATOR IS 250°F (121°C).

1. The DTV is a self-operating, temperature actuated valve designed to respond to elevated drain temperature and allow cold water to flow into the drain to keep the drain effluent below the maximum allowable temperature.
2. The DTV should typically be installed as close to the outlet of the "hot source" as possible in order to allow the cold water to fully mix before running down the drain.
3. The DTV is installed with the thermal actuator end inserted into the drain line and the cold water inlet connected to the valve's ½", ¾", or 1" NPT female threaded connection.
4. CAUTION: MAKE SURE THAT THE WATER INLET FITTING INSTALLED INTO DTV HAS A LARGE ENOUGH I.D. AND SHORT ENOUGH LENGTH SO IT DOES NOT INTERFERE WITH VALVE PLUG MOVEMENT.

**Cold water inlet fitting must have the following minimum I.D. to avoid interference with valve movement:**

½" DTV: 0.622 in (15.8 mm), ¾" DTV: 0.69 in (17.5 mm), 1" DTV: 1.044 in. (26.5 mm)

5. Ensure that the thermal actuator end does not touch the opposite side of the fitting.
6. To assure adequate response and cold-water flow, especially in low flow applications, the thermal actuator should be installed so that even the minimum hot effluent flow fully wets the actuator end of the valve. **See drawings below.**
7. ThermOmegaTech offers a water hammer arrestor and backflow preventer. [Contact sales](#) for pricing or check local plumbing codes as to the type of check valve or backflow preventer that may be required. Refer to drawings below to comply with plumbing code air gap requirements.



**WARNING:** This product can expose you to chemicals, for example lead, nickel, acrylonitrile, which are known to the State of CA to cause cancer, birth defects, or reproductive harm. For more information, go to [www.P65Warnings.ca.gov](http://www.P65Warnings.ca.gov)

Warranty information disclosed at [www.thermomegatech.com/terms-conditions/](http://www.thermomegatech.com/terms-conditions/)

DTV\_IMI  
REV: 2/27/23