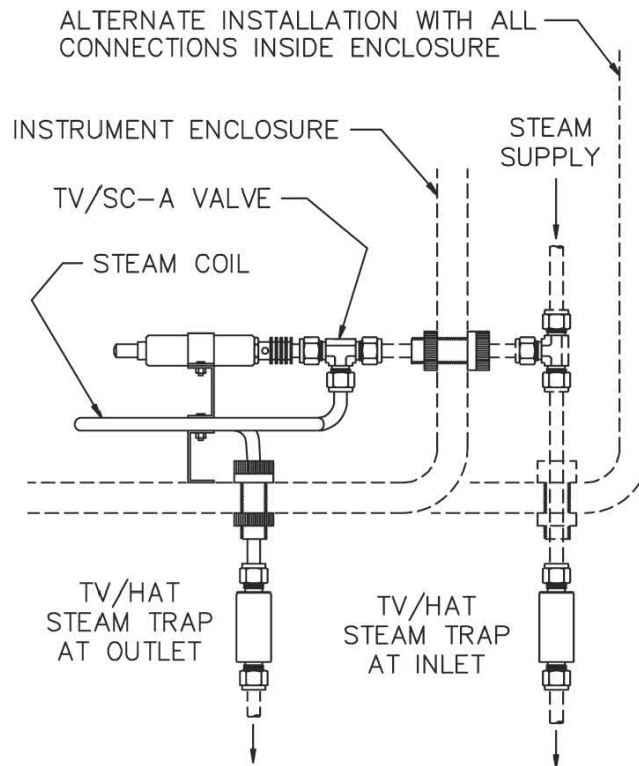


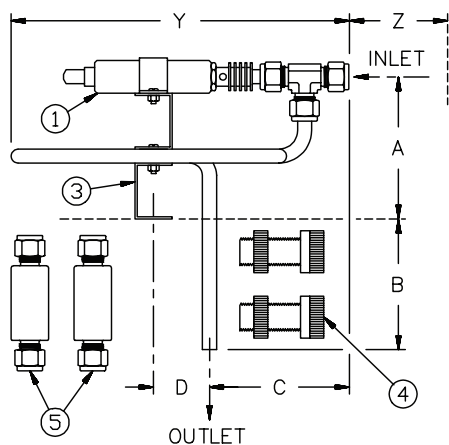
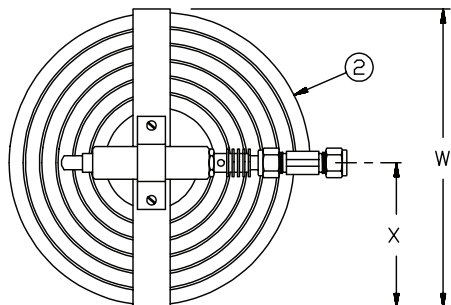
Installation Instructions for ITCH Assembly

1. Install ITCH Assembly into enclosure per drawing, dimensions, and template below.
2. In potentially freezing climates, it is very important to trap the steam inlet before it enters the enclosure to assure that it stays hot even when the enclosure controller turns off steam to the heater. For this reason, two TV/HAT traps are included; one for the inlet line trap and one for the heater outlet.



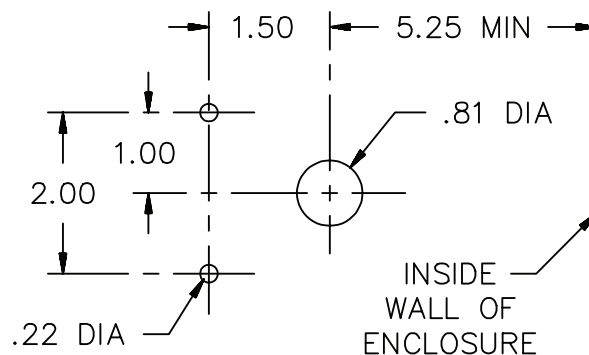
INSTRUMENT TEMPERATURE CONTROL HEATER ASSEMBLY

PARTS & MATERIALS



ITEM	DESCRIPTION	MATERIAL
1	TV/SC-A	SEE CATALOG PAGE
2	STEAM COIL	300 SERIES SS
3	MOUNTING BRACKET	300 SERIES SS
4	BULKHEAD FITTING	300 SERIES SS
5	TV/HAT	SEE CATALOG PAGE

MOUNTING DIMENSIONS



DIMENSIONS & CAPACITIES

TUBE OD	A		B		C		D		W		X		Y		Z		Cv	MAXIMUM PRESSURE	MAXIMUM TEMPERATURE
	IN	MM	IN	MM	IN	MM	IN	MM	IN	MM	IN	MM	IN	MM	IN	MM			
3/8	3.8	97	3.5	89	3.8	97	1.5	38	8.0	203	4.0	102	9.0	229	1.5	38	0.5	200 PSIG (13.8 BAR)	250°F (121°C)

! WARNING: This product can expose you to chemicals, for example lead, nickel, acrylonitrile, which are known to the State of CA to cause cancer, birth defects, or reproductive harm. For more information, go to www.P65Warnings.ca.gov

Warranty information disclosed at www.thermomegatech.com/terms-conditions/

ITCH_IMI
REV: 7/12/18

Because of continuous improvements, ThermOmegaTech®, Inc. reserves the right to change the design and specifications without notice