



## INSTALLATION INSTRUCTIONS

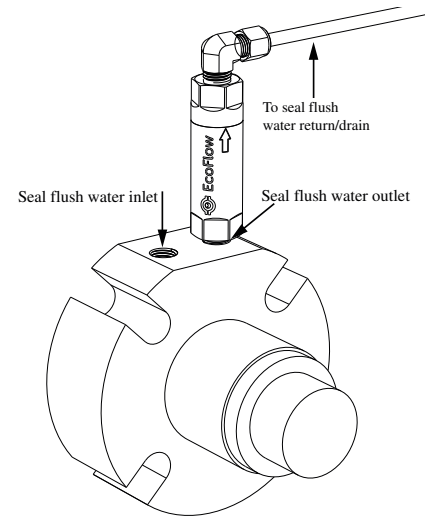
# ECOFLOW<sup>®</sup> SEAL FLUSH WATER THERMAL RELIEF VALVES

ThermOmegaTech<sup>®</sup> EcoFlow<sup>®</sup> valves are recommended for mechanical seal flush water control based on outlet water temperature.

**IT IS THE RESPONSIBILITY OF THE USER TO DETERMINE THE REQUIRED FLOW CAPACITY TO PREVENT OVERHEATING AND TO SELECT THE CORRECT VALVE OR MULTIPLE VALVES TO ACHIEVE THE REQUIRED FLOW RATE.**

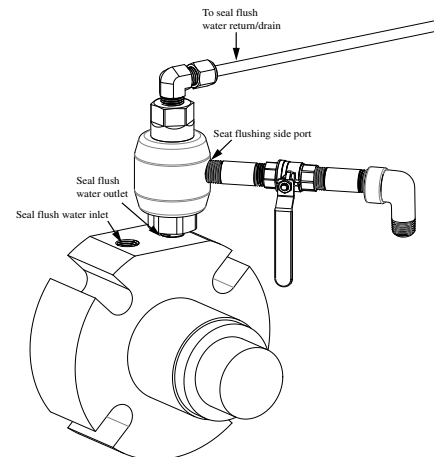
CONSULT WITH THERMOMEGATECH<sup>®</sup> APPLICATION ENGINEERS FOR ASSISTANCE WITH YOUR APPLICATION OR FOR ANY QUESTIONS REGARDING SIZING, INSTALLATION, AND/OR MAINTENANCE.

1. Confirm that the maximum operating pressure marked on the **EcoFlow<sup>®</sup>** relief valve is suitable for your application.
2. Install **EcoFlow<sup>®</sup>** valve with flow direction as marked on valve body.
3. For water supplies that are not clean, you may install a wye-strainer with a #20 mesh screen. If used, install strainer in water supply ahead of seal to allow installation of **EcoFlow<sup>®</sup>** as close to seal water outlet as possible.
4. Install **EcoFlow<sup>®</sup>** valve on mechanical seal flush water outlet connection, as close to the seal housing as possible to avoid delayed response. *See typical installation drawing to the right.*
5. To purge trapped air, allow seal water outlet connection to drip and evacuate air prior to tightening. If using **EcoFlow<sup>®</sup>** with flushing side port option, simply purge air with side port discharge valve.
6. **EcoFlow<sup>®</sup>** valves are fully open at the specified temperature and will be closed about 10°F below this temperature.
7. The outlet from the **EcoFlow<sup>®</sup>** should be piped to a seal flush water return line or to a drain.
8. If freezing conditions are possible, precautions must be taken to prevent the pump seal housing, water supply, and drain lines from freezing.



### For EcoFlow<sup>®</sup> with seat flushing side port option:

1. Install as above and add a small shutoff/flush valve to the ¼" FNPT side port. *See typical installation drawing to the right.*
2. Direct discharge from flush valve to drain or appropriate collection system.
3. Open flush valve for several seconds to discharge accumulated dirt as needed based on accumulation of system contaminants.



ThermOmegaTech<sup>®</sup> also manufactures freeze protection bleeder valves that are suitable for many freeze protection applications. Consult factory for freeze protection assistance.



**WARNING:** This product can expose you to chemicals, for example lead, nickel, acrylonitrile, which are known to the State of CA to cause cancer, birth defects, or reproductive harm. For more information, go to [www.P65Warnings.ca.gov](http://www.P65Warnings.ca.gov)

Warranty information disclosed at [www.thermomegatech.com/terms-conditions/](http://www.thermomegatech.com/terms-conditions/)

EcoFlow IMI  
Rev: 1/31/20