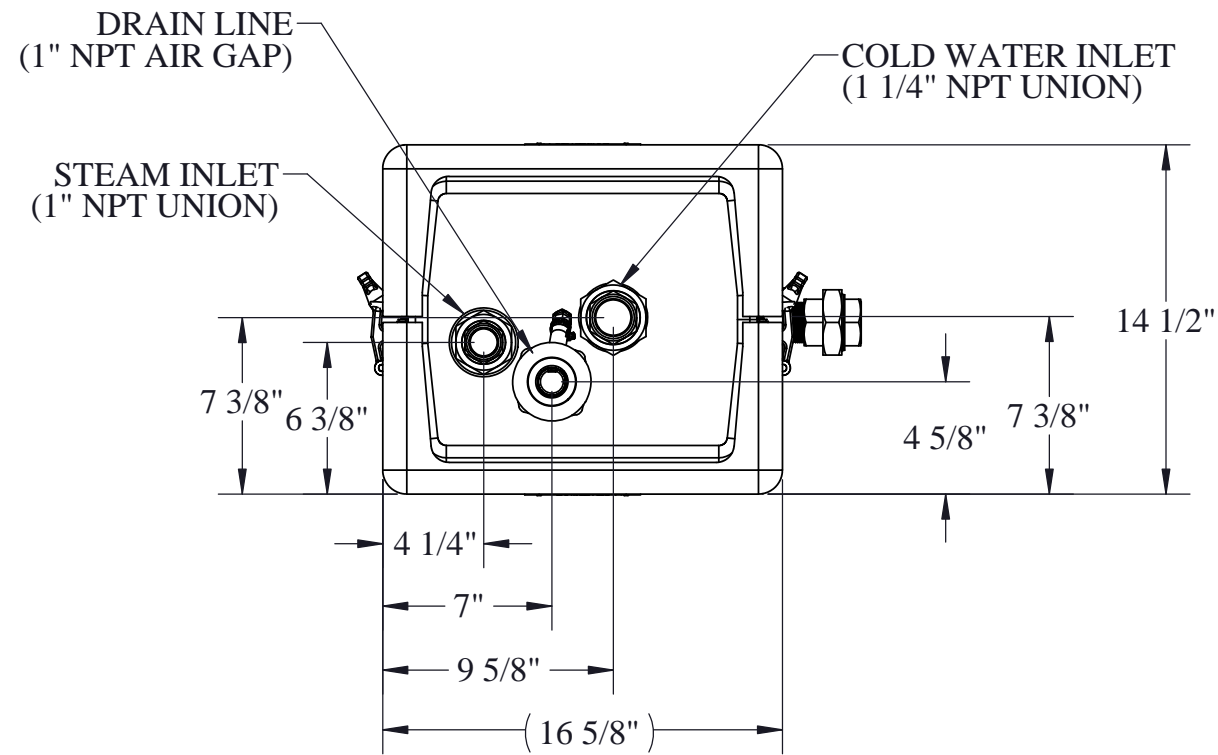
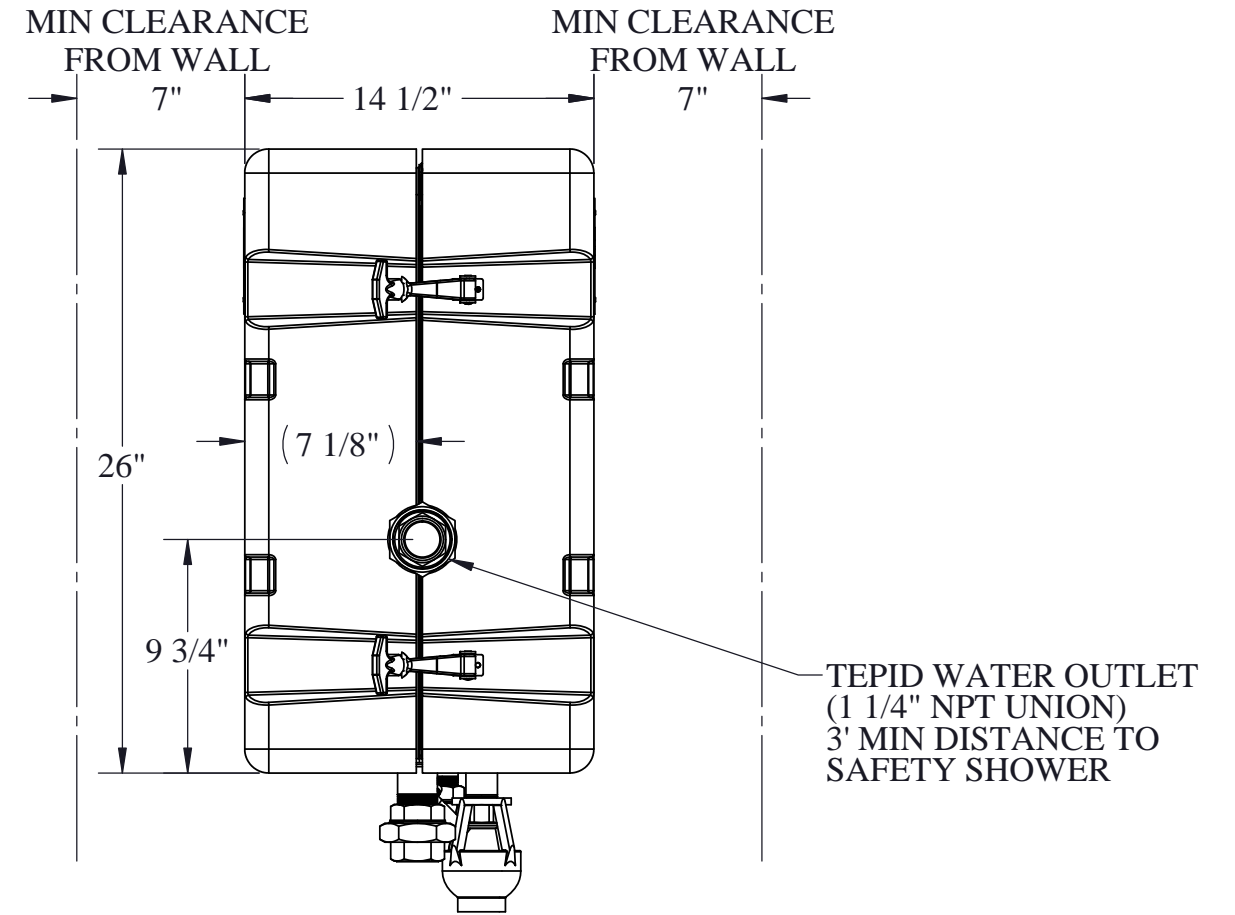
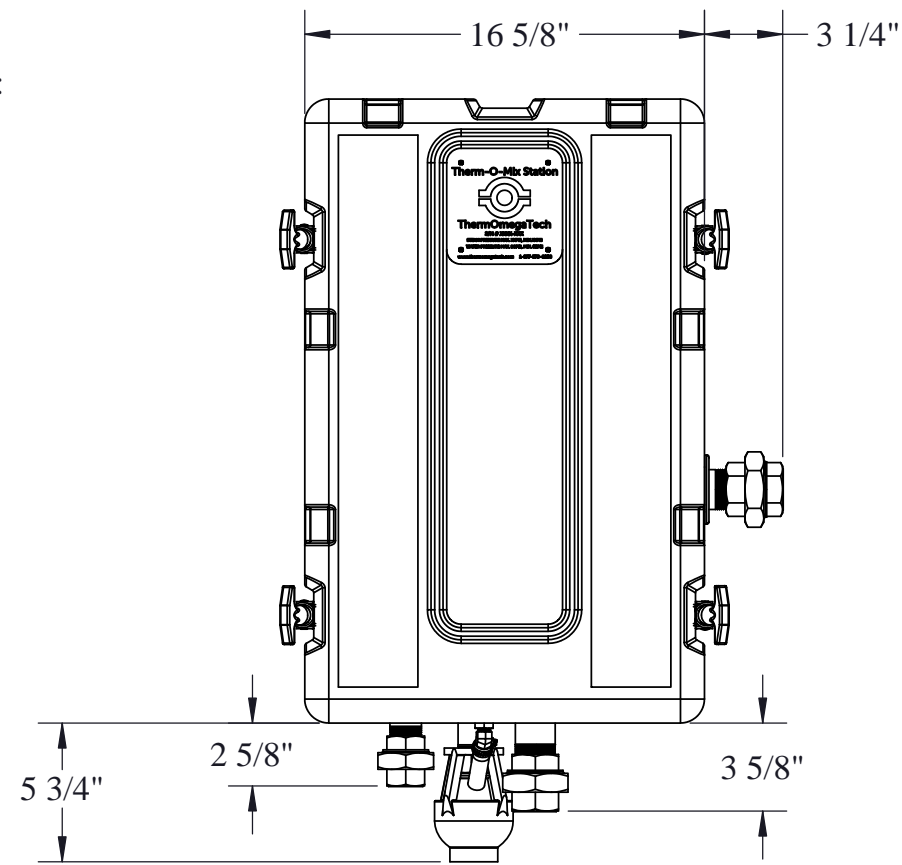


**NOTES:**

1. DIMENSIONAL TOLERANCES:  $\pm 1/2"$ .
2. RECOMMENDED WATER PRESSURE:  
55 psi (3.79 bar) MIN.  
90 psi (6.21 bar) MAX.
3. RECOMMENDED STEAM PRESSURE:  
45 psi to 60 psi (3.10 bar to 4.14 bar)
4. MAXIMUM STEAM TEMPERATURE:  
350 °F (177 °C)



F	1027	ADDED AIR GAP FITTING TO CONDENSATE DRAIN AND REROUTED V6 DRAIN LINE	EWf	BCR	8/30/2018
E	978	CHANGED ALL LITERATURE AND MARKINGS FROM HAWS TO THERMOMEGATECH	EWf	BCR	3/28/2018
D2	919C	CHANGED V-1 MIXING TEE FROM MACHINED ASSEMBLY (357-TOMOUTLET, 03-183) TO A CASTING (03-380). CHANGED PMHS (95-153) TO SHCS (95-020) ENCLOSURE STRAP	EWf	BCR	8/31/2017
D1	919B	CHANGED COLD WATER INLET TEE FROM MACHINED PARTS (03-177, 03-178) TO CAST PARTS (03-382, 03-384).	EWf	BCR	8/9/2017
D	919A	CHANGED HOT WATER OUTLET TEE FROM MACHINED PARTS (03-177, 03-179, 03-180) TO CAST PARTS (03-383, 03-384). CHANGED UNION NUT FROM MACHINED PART (03-184) TO CAST PART (03-385).	EWf	BCR	6/22/2017

REV	ECN#	DESCRIPTION	BY	CHK	DATE	
		 353 Nyland Road, Warminster, PA 18974-2205 USA ThermOmegaTech.com • 215-674-9992 • 1-877-379-8258	ISO 9001 CERTIFIED	SHEET 1 OF 4 DWN BY EWF CHK BY JPC	SCALE 1:8 REV F	DATE 3/23/2016 TITLE: THERM-O-MIX STATION GEN 3 (BPHE) SS
TOLERANCES UNLESS OTHERWISE SPECIFIED X.XX ±.01 X.XXX ±.005 UNITS IN INCHES			THIS DRAWING AND THE INFORMATION CONTAINED ARE THE PROPERTY OF THERMOMEGATECH AND IT IS NOT TO BE REPRODUCED, COPIED OR USED IN ANY WAY DETRIMENTAL TO THE INTEREST OF THERMOMEGATECH.			
INV. NUMBER:			387-112100-003			